

- Low-loss RF SAW filter for EGSM mobile systems
- Low amplitude ripple
- No matching network required for operation at 50Ω
- Ceramic package for Surface Mounted Technology (SMT)
- Lead-free production and RoHS compliant

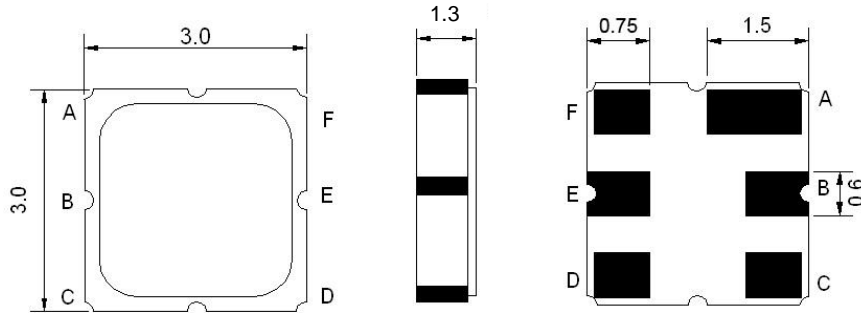


Electrical Characteristics

MAXIMUM RATING				
PARAMETERS DESCRIPTION	UNIT	MINIMUM	TYPICAL	MAXIMUM
Operating Temperature Range	°C	-40	-	+85
Storage Temperature Range	°C	-40	-	+85
Maximum DC Voltage	V _{DC}	-	-	3
Maximum Input Power				
925.00 ~ 960.00MHz (continuous wave, 85°C)	dBm	-	-	12
925.00 ~ 960.00MHz (continuous wave, 55°C)	dBm	-	-	15
880.00 ~ 915.00MHz (effective power in the on-state, duty cycle 4:8, 85°C)	dBm	-	-	17
Source Impedance	Ω	-	50	-
Load Impedance	Ω	-	50	-
Length x Width	mm ²	-	3.0 x 3.0	-
Height	mm	-	-	1.3

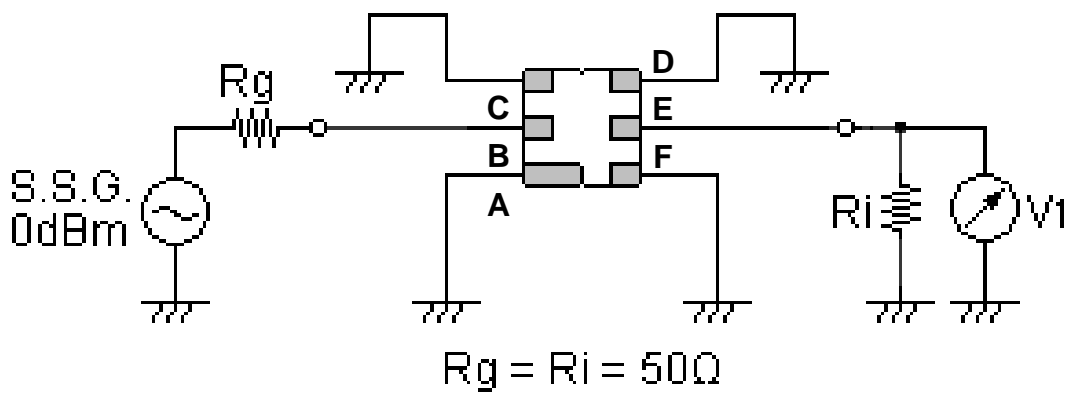
ELECTRICAL SPECIFICATION				
PARAMETERS DESCRIPTION	UNIT	MINIMUM	TYPICAL	MAXIMUM
Center Frequency (F _o)	MHz	-	897.5	-
Insertion Loss @ 880.00 ~ 915.00MHz	dB		2.0	2.5
Amplitude Ripple (p-p) @ 880.00 ~ 915.00MHz	dB		1.0	1.5
Absolute Attenuation:				
DC ~ 860.00 MHz	dB	18	22	
925.00 ~ 935.00 MHz	dB	15	20	
935.00 ~ 960.00 MHz	dB	20	26	
960.00 ~ 2000.00 MHz	dB	20	26	
Input / Output VSWR @ 880.00 ~ 915.00MHz	dB		1.7	2.0

Package Dimensions



Pin Description	
B	Input
E	Output
A, C, D, F	Ground

Testing Environment



Frequency Characteristics

Frequency Response

